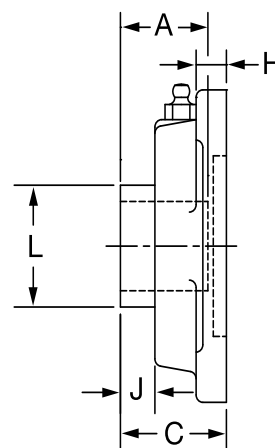
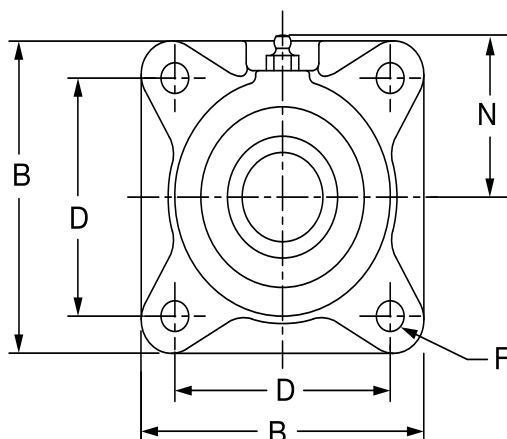
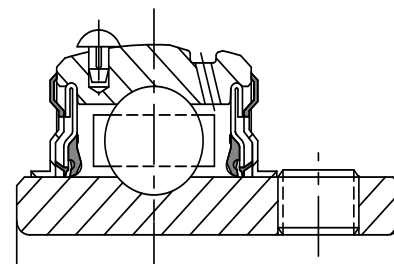


SELECTION/DIMENSIONS

Extreme Duty Setscrew Ball Bearings SCED NORMAL DUTY 4-BOLT FLANGE BEARINGS



Series	Shaft Size	Standard Part No.	Description	Weights lbs kgs	A	B	C	D	F	H	J	L	N
204	1/2	@	F4B-SCED-008L	1.8	1.23	3.38	1.34	2.5	3/8	0.44	0.36	1.12	1.94
	5/8	@	F4B-SCED-010L	1.7									
	3/4	076046	F4B-SCED-012	1.6									
	13/16	@	F4B-SCED-013	1.5									
	20mm	076246	F4B-SCED-20M	0.8	31.2	85.9	34.0	63.5	M10	11.2	9.1	28.4	49.3
205	7/8	@	F4B-SCED-014	2.0	1.34	3.75	1.37	2.75	7/16	0.50	0.42	1.32	2.06
	15/16	@	F4B-SCED-015	1.9									
	1	076047	F4B-SCED-100	1.8									
	25mm	076247	F4B-SCED-25M	0.9	34.0	95.3	34.8	69.9	M10	12.7	10.7	33.5	52.3
	206	1-1/16	@	F4B-SCED-101	2.9	1.52	4.25	1.56	3.25	7/16	0.50	0.49	1.57
1-1/8		076048	F4B-SCED-102	2.8									
1-3/16		076049	F4B-SCED-103	2.7									
1-1/4		076050	F4B-SCED-104S	2.6									
30mm		076248	F4B-SCED-30M	1.3	38.6	108.0	39.6	82.6	M10	12.7	12.4	39.9	55.6
207	1-1/4	076051	F4B-SCED-104	4.0	1.71	4.75	1.75	3.63	1/2	0.56	0.53	1.84	2.44
	1-5/16	@	F4B-SCED-105	3.9									
	1-3/8	076052	F4B-SCED-106	3.8									
	1-7/16	076053	F4B-SCED-107	3.7									
	35mm	076249	F4B-SCED-35M	1.7	43.4	120.7	44.5	92.1	M12	14.2	13.5	46.7	62.0
208	1-1/2	076054	F4B-SCED-108	4.8	1.94	5.13	1.98	4.00	1/2	0.56	0.63	2.05	2.38
	1-5/8	@	F4B-SCED-110	4.7									
	40mm	076250	F4B-SCED-40M	2.1	49.3	130.3	50.0	101.6	M12	14.2	16.0	52.1	60.5

© Assembled to order

FEATURES/BENEFITS PAGE B3-2	EASY SELECTION PAGE B3-3	SELECTION PAGE B3-5	ACCESSORIES PAGE B3-41
--------------------------------	-----------------------------	------------------------	---------------------------

Bearing Reference Guide

ULTRA KLEEN

E-Z KLEEN

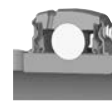
Extreme Duty

Setscrew Ball Bearing

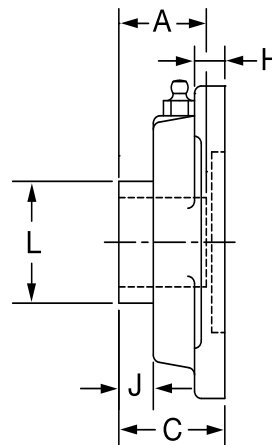
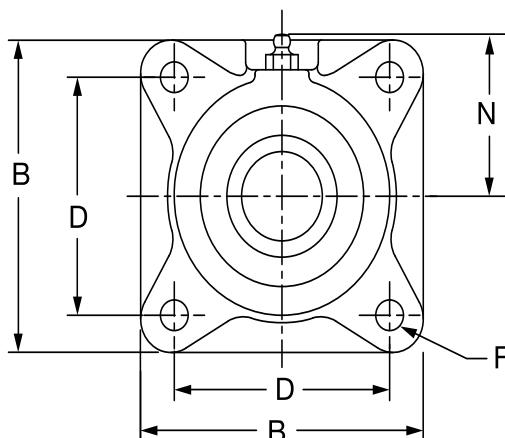
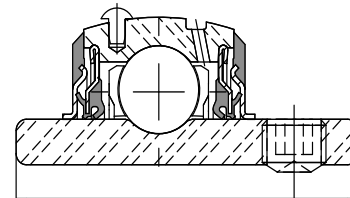
GRIP TIGHT

D-LOK Ball Bearing

SELECTION/DIMENSIONS



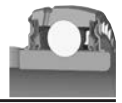
Extreme Duty Setscrew Ball Bearings SCED NORMAL DUTY 4-BOLT FLANGE BEARINGS



Series	Shaft Size	Standard Part No.	Description	Weight lbs. kg.	A	B	C	D	F	H	J	L	N
209	1-5/8	075775	F4B-SCED-110L	6.1	1.94	5.38	1.99	4.13	1/2	0.63	0.59	2.22	2.75
	1-11/16	076055	F4B-SCED-111	6.0									
	1-3/4	076056	F4B-SCED-112	5.9									
	45mm	076251	F4B-SCED-45M	2.7	49.3	136.7	50.5	104.8	M14	16.0	15.0	56.4	69.9
210	1-15/16	076057	F4B-SCED-115	6.7	1.94	5.63	2.02	4.38	1/2	0.63	0.55	2.43	2.88
	2	076058	F4B-SCED-200	6.6									
	50mm	076252	F4B-SCED-50M	3.0	49.3	143.0	51.3	111.1	M16	16.0	14.0	61.7	73.2
211	2	076157	F4B-SCMED-200	9.3	2.22	6.50	2.28	5.13	5/8	0.69	0.68	2.71	3.25
	2-3/16	076059	F4B-SCED-203	9.0									
	2-1/4	@	F4B-SCED-204	8.9									
	55mm	076253	F4B-SCED-55M	4.1	56.4	165.1	57.9	130.2	M16	17.5	17.3	68.8	82.6
212	2-1/4	076649	F4B-SCMED-204	11.1	2.31	6.88	2.38	5.63	5/8	0.69	0.66	2.97	3.50
	2-7/16	076060	F4B-SCED-207	10.6									
	60mm	076254	F4B-SCED-60M	6.0	58.7	174.8	60.5	142.9	M16	17.5	16.8	75.4	88.9
214	2-1/2	076160	F4B-SCMED-208	16.0	2.54	7.38	2.78	5.88	5/8	0.69	0.60	3.31	3.69
	2-11/16	076061	F4B-SCED-211	15.4									
	70mm	076255	F4B-SCED-70M	6.9	64.5	187.5	70.6	149.2	M16	17.5	15.2	84.1	93.7
215	2-15/16	076062	F4B-SCED-215	17.6	2.33	7.75	2.88	6.00	3/4	1.00	0.63	3.62	3.88
	75mm	076256	F4B-SCED-75M	8.0	59.2	196.9	73.2	152.4	M18	25.4	16.0	91.9	98.6

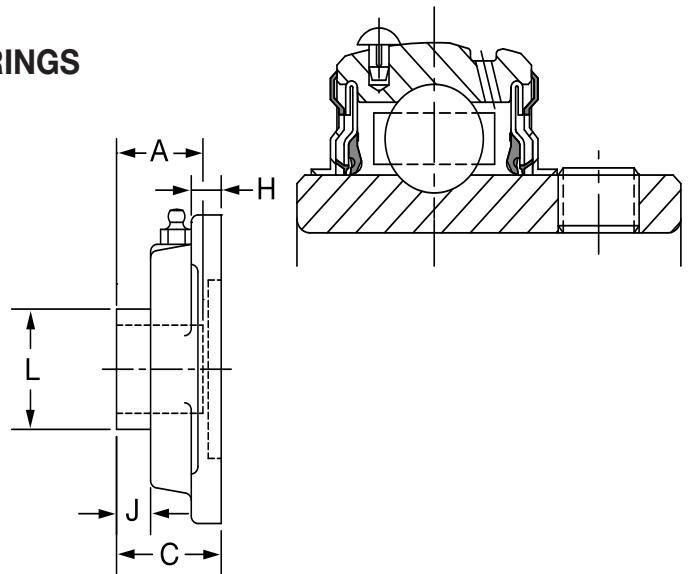
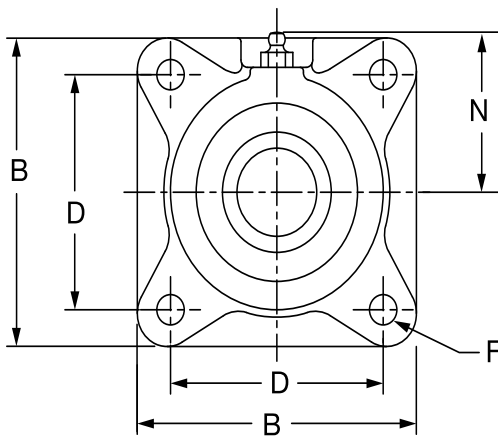
@ Assembled to order

FEATURES/BENEFITS PAGE B3-2	EASY SELECTION PAGE B3-3	SELECTION PAGE B3-5	ACCESSORIES PAGE B3-41
--------------------------------	-----------------------------	------------------------	---------------------------



SELECTION/DIMENSIONS

Extreme Duty Setscrew Ball Bearings SCMED MEDIUM DUTY 4-BOLT FLANGE BEARINGS



Series	Shaft Size	Standard Part No.	Description	Weight lbs kg	A	B	C	D	F	H	J	L	N
206	1	076150	F4B-SCMED-100	3.0	1.52	4.25	1.56	3.25	7/16	0.50	0.49	1.57	2.19
	25mm	076313	F4B-SCMED-25M	1.3	38.6	108.0	39.6	82.6	M10	12.7	12.4	39.9	55.6
207	1-3/16	076151	F4B-SCMED-103	4.1	1.71	4.75	1.75	3.63	1/2	0.56	0.53	1.84	2.44
	1-1/4 30mm	@ 076314	F4B-SCMED104 F4B-SCMED-30M	4.0 1.4	43.4	120.7	44.5	92.1	M12	14.2	13.5	46.7	62.0
208	1-7/16	076152	F4B-SCMED-107	5.0	1.94	5.13	1.98	4.00	1/2	0.56	0.63	2.05	2.38
	35mm	076315	F4B-SCMED-35M	2.1	49.3	130.3	50.3	101.6	M12	14.2	16.0	52.1	60.5
209	1-1/2	076153	F4B-SCMED-108	6.1	1.94	5.38	1.99	4.13	1/2	0.63	0.59	2.22	2.75
	1-5/8 40mm	@ 076316	F4B-SCMED110L F4B-SCMED-40M	6.1 2.7	49.3	136.7	50.5	104.8	M14	16.0	15.0	56.4	69.9
210	1-11/16	076154	F4B-SCMED-111	7.1	1.94	5.63	2.02	4.38	1/2	0.63	0.55	2.43	2.88
	1-3/4	076155	F4B-SCMED-112	6.9									
	45mm	076317	F4B-SCMED-45M	3.0	49.3	143.0	51.3	111.1	M16	16.0	14.0	61.7	73.2
211	1-15/16	076156	F4B-SCMED-115	9.5	2.22	6.50	2.28	5.13	5/8	0.69	0.68	2.71	3.25
	2	076157	F4B-SCMED-200	9.3									
	50mm	076318	F4B-SCMED-50M	4.1	56.4	165.1	57.9	130.2	M16	17.5	17.3	68.8	82.6
212	2-3/16	076158	F4B-SCMED-203	11.3	2.31	6.88	2.38	5.63	5/8	0.69	0.66	2.97	3.50
	2-1/4	076648	F4B-SCMED-204	11.1									
	55mm	076319	F4B-SCMED-55M	6.0	58.7	174.8	60.5	142.9	M16	17.5	16.8	75.4	88.9
214	2-7/16	076159	F4B-SCMED-207	16.2	2.54	7.38	2.78	5.88	5/8	0.69	0.60	3.31	3.69
	2-1/2	076160	F4B-SCMED-208	16.0									
	65mm	076320	F4B-SCMED-65M	7.3	64.5	187.5	70.6	149.2	M16	17.5	15.2	84.1	93.7
215	2-11/16	076161	F4B-SCMED-211	18.3	2.33	7.75	2.88	6.00	3/4	1.00	0.63	3.62	3.88
	70mm	076321	F4B-SCMED-70M	8.0	59.2	196.9	73.2	152.4	M18	25.4	16.0	91.9	98.6
216	2-15/16	076162	F4B-SCMED-215	21.5	2.38	7.75	3.09	6.00	3/4	0.88	0.59	3.83	4.09
	3	076163	F4B-SCMED-300	21.2									
	75mm	076322	F4B-SCMED-75M	9.4	60.5	196.9	78.5	152.4	M18	22.4	15.0	97.3	103.9
218	3-7/16	076164	F4B-SCMED-307	28.0	2.56	8.44	3.38	6.75	3/4	1.00	0.60	4.35	4.63
	3-1/2 85mm	076165 076323	F4B-SCMED-308 F4B-SCMED-85M	27.4 12.2	65.0	214.4	85.9	171.5	M18	25.4	15.2	110.5	117.6

@ Assembled to order

FEATURES/BENEFITS PAGE B3-2	EASY SELECTION PAGE B3-3	SELECTION PAGE B3-5	ACCESSORIES PAGE B3-41
--------------------------------	-----------------------------	------------------------	---------------------------

Bearing Reference Guide

ULTRA KLEEN

E-Z KLEEN

Extreme Duty

Setscrew Ball Bearing

GRIP TIGHT

D-LOK Ball Bearing